



AIR POLLUTION CONTROL SOLUTIONS

Environmental protection with enhanced emissions control technologies





Proven technologies in global markets



Widespread awareness of environmental protection, as well as health concerns, has and will continue to be a key consideration of countries around the world. With more stringent legislation taking effect in many countries worldwide, industries are putting a strong focus on investment in pollution controls to ensure their standards comply with local and international targets.

With over 60 years experience of air pollution control technologies, Clyde Bergemann is key to supporting the progress of companies in meeting these targets. Our proven technologies include modern electrostatic precipitators and fabric filter systems for particulate control, spray dryer absorbers and dry sorbent injection for acid gas removal, and activated carbon injection for mercury and trace metal removal.

Our experienced team of engineers ensure the highest quality of service is provided to our global customer base on a turnkey basis, from initial enquiry through to the commissioning of the equipment and after sales support. Our expertise supports new and rebuild projects and continues a strong focus on retrofit and maintenance on existing plants.

Key technologies

Clyde Bergemann offers demonstrated solutions for air pollution control with our technology portfolio servicing many industries including power generation, iron and steel, cement, pulp and paper, and other industrial applications.

Our portfolio includes the following technologies:

Particulate control

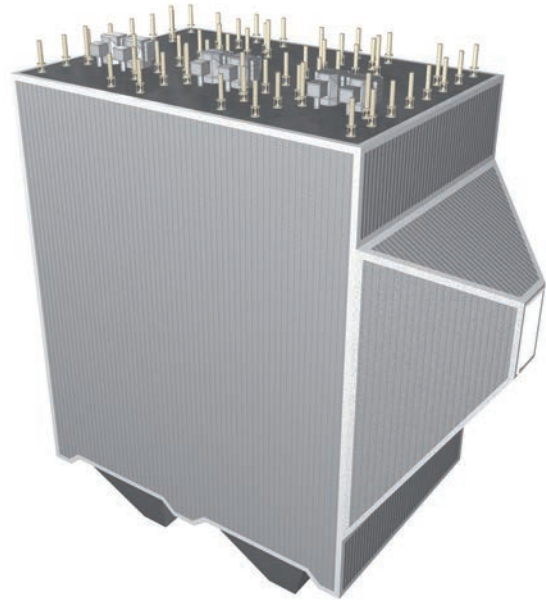
- Electrostatic precipitators (wet and dry)
- Fabric filters (pulse jet and reverse air)

Acid gas removal (SO₂, HCl, HF, SO₃)

- Spray dryer absorbers (lime based)
- Dry sorbent injection (Trona, sodium bicarbonate and hydrated lime)

Mercury and trace metal removal

- Powdered activated carbon injection



Globally certified for a range of applications

Custom designed to suit applications

Clyde Bergemann's strategy is to provide customer focused solutions and reliable aftermarket replacement components and service to users of air pollution control systems.

Our technologies and services can be applied to a number of industries from power generation plants including those burning coal, oil, biomass and waste, to industrial manufacturing plants such as iron and steel, cement and pulp and paper.

Our comprehensive process engineering capabilities include determination of the size, geometry and the mechanical, electrical and structural characteristics of the system to meet customer specifications.

A range of products and services meeting customer specifications

Our complete services for the air pollution control market include:

Engineering Systems

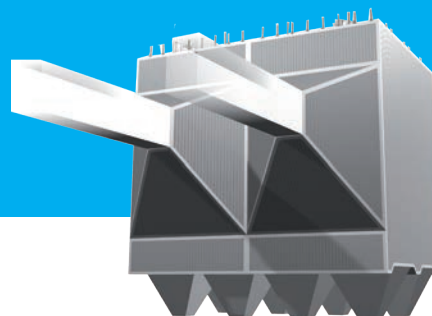
- New equipment
- Major rebuilds
- Balance of plant design
- ESP, fabric filters, DeSO_x, mercury control
- Auxiliary equipment

Services

- Parts and service
- Performance assessment
- Compliance and optimisation
- Project management
- Application, design, process and project engineering
- Field services



Electrostatic precipitators



Electrostatic precipitators (ESP) for efficient particulate control

Clyde Bergemann offers proven wet and dry ESP technology which has been successfully installed in applications across the globe in industries such as major coal and oil-fired power generation plants, power generation from biomass, waste-to-energy, iron and steel, cement and pulp & paper.

With over 1,500 installations worldwide, our experience and knowledge of the industries allows us to design accurate and highly efficient configurations to ensure targeted emission levels are achieved.

🔧 Your advantages

- Typical collection efficiencies exceed 99.9%
- Can reduce emissions to less than 20 mg/Nm³
- Low cost of ownership (low capital costs, almost no maintenance, minimal wear parts, low pressure drop)
- Reliable design with high durability to ensure long lifespan of technology

Special design features of our ESP technology

- No moving parts inside casing and gas flow
- Virtually maintenance free design - entire rapping system is located outside the gas stream
- All electric single impulse (ESI) rapping devices are located on casing roof and maintenance can be carried out during operation
- Frequency and intensity of rapping devices can be infinitely adjusted to process needs
- Rigid electrode design - RIGITRODE® is state-of-the-art, unbreakable and customised for application specific characteristics
- The MODULOK™ Collecting Electrode is specifically designed to achieve exact plate alignment and structural integrity
- State-of-the-art microprocessor based ESP controls including:
 - DOCIV automatic voltage power controller
 - OPTI-RAP™ rapping system controller



Maximum performance to achieve less than 20 mg/Nm³

Key design elements for enhanced performance

RIGITRODE® - discharge electrodes

- fabricated from tubing with strategically spaced corona studs welded along the length of the electrode
- assembled into the ESP as a rigid structural matrix
- structural stiffness resists displacement due to electrical forces and lateral forces resulting from over-full hoppers.

MODULOK™ - collecting plates

- exact plate alignment and structural integrity
- excellent rapping response for dislodging the collected particulate
- no field assembly required
- eliminates deformation and oil-canning which can occur when individual panels are welded together along their vertical height

We also offer offer a variety of rapping system options where the entire rapping system is located outside the gas stream and can achieve plate accelerations in excess of 100g.

How it works

The electrostatic precipitator (ESP) is a high efficiency particulate removal device that collects particulate matter from high temperature combustion or process gas streams.

The system works by negatively charging the particulate matter entrained in the gas stream with high voltage discharge electrodes which electrostatically influence those particles to be attracted to positively grounded collecting plates within the ESP.

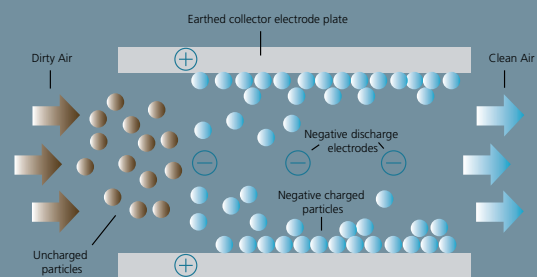


Image: the ESP process

Cleaning of the plates occurs when a rapping device is activated and dislodges the dust causing it to fall into hoppers below the ESP. The cleaned gases pass out of the ESP and through a stack into the atmosphere.



Fabric Filters



Pulse jet and reverse air fabric filters for low emission levels

Clyde Bergemann offers a wide range of fabric filter systems for a variety of process applications providing effective technical and commercial solutions where high collection efficiency and low emission levels are required.

Our fabric filters are installed on a range of applications including coal and oil-fired power generation plants, power generation from biomass, waste-to-energy, iron and steel, cement and pulp & paper.

☰ Your advantages

- Typical collection efficiencies exceed 99.99%
- Can routinely reduce emissions to less than 20 mg/Nm³ and has demonstrated emission reduction of < 5 mg/Nm³
- Prolonged life increases plant availability and reduced operational costs

Special design features of our fabric filter technology

- Patented stepped inlet manifold for uniform gas distribution to all filter modules, helping
 - reduce pressure drop
 - minimise particulate fallout in inlet manifold
 - significant improvement in flow distribution compared to conventional tapered designs
- Patented inlet vane system - uniformly turns and distributes the gas flow reducing bag wear, reducing pressure drop and extending bag life
- Lower pressure drop - reduces I.D. fan power consumption which lowers operational costs, and extends cleaning cycle which prolongs bag life
- Smaller filters are designed in modular form for faster site assembly minimising site costs and program lead times
- Improved gas flow distribution is achieved without relying on increased fabric pressure loss to balance the individual module gas flow
- Each turn within the manifold is individually vanned to prevent flow separation and minimise fall out



Top door and walk-in plenum pulse jet designs

Clyde Bergemann offers both Top Door and Walk-in Plenum type Pulse-Jet Fabric Filter Systems. With Pulse-Jet Filters, gas flows from the outside to the inside of the bags.

The design of the manifold and gas distribution package used in our Fabric Filters is based on 40 years of field and flow model experience and has been designed to achieve the following essential objectives:

- Minimal system mechanical pressure drop
- Balance gas flow and dust distribution among modules
- Minimise dust fall out in the inlet manifold

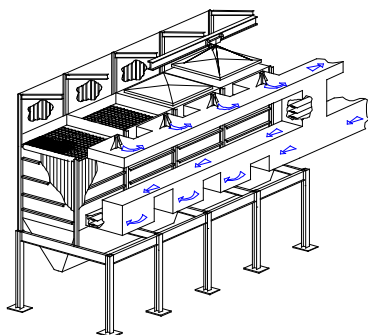


Image: Patented stepped inlet manifold

How it works

Fabric filters are high efficiency collection devices capable of collecting fine particulate from the gas stream.

In a pulse jet fabric filter, particulates in the flue gas stream are deposited on the outside surface of the filter bag which then build up to form a dust cake. When the dust cake reaches a level where flow is restricted, cleaning is initiated. The dust is removed by injecting a pulse of clean compressed air down the inside of the bag.

The collected dustcake is dislodged and falls down into the hopper.

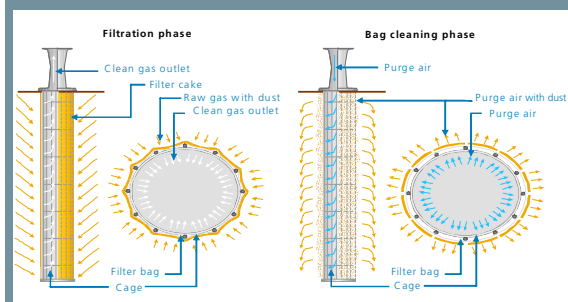


Image: fabric filter cleaning



Solutions for acid gas and mercury removal



Dry scrubbing systems for removal of acid gases such as SO_x, HCl and mercury

A dry scrubbing system is used to remove pollutants from an exhaust stream by injection of a reagent into the stream to neutralise or remove acid gases. Unlike wet scrubbing systems, the dry approach produces a dry residue and has no requirement for wastewater handling.

Clyde Bergemann offers two types of dry scrubbing systems, spray dryer absorbers and dry sorbent injection. Our technologies remove gaseous pollutants and heavy metals from exhaust gas streams through the introduction of calcium, sodium and carbon based reagents to transform or capture gaseous and toxic pollutants into particulate matter which can be collected downstream in a particulate collection device (electrostatic precipitator or fabric filter). Our technology is capable of removing more than 97% of acid gases (including SO₂) from the flue gas and has demonstrated greater than 97% removal efficiency of mercury.

Our dry scrubbing technology has been successfully installed on applications such as coal-fired generation, waste-to-energy plants and biomass facilities.

Spray Dryer Absorber - precision and reliability for pollution control

Clyde Bergemann's Spray Dryer Absorber (SDA) incorporates a state-of-the-art SDA vessel with direct drive-variable speed rotary atomisers, pulse jet fabric filter design and reagent storage and preparation systems built to our specifications.

Flue gas enters the SDA system through an inlet gas disperser located at the top of the vessel. Swirl vanes in the disperser turn the gas counter-current to the rotating atomiser disk and directs it into the chamber where it comes into contact with the atomised reagent slurry. Acid gas absorption, droplet evaporation and gas cooling occur as the flue gas mixes with the slurry. Scrubbed flue gas and entrained particulates exit through the outlet duct and are collected in the downstream particulate collector.

☄ Your advantages

- Over 97% removal of acid gases, including SO₂
- Precise control of droplet size
- Efficient mixing of gas and atomised slurry
- Rapid response to variations of gas conditions
- Consistent emissions control performance
- Continuous operation during system maintenance when equipped with multiple atomisers



Proven to remove 97% of acid gases and mercury

Dry sorbent injection - proven technology for reduced emissions

Clyde Bergemann offers dry sorbent injection (DSI) technology for introducing sorbents into the gas stream to reduce pollutants such as acid gases, mercury and other heavy metals. This reliability comes from applying proven material storage and conveying technologies to the various sorbents that can be used for mitigating emissions.

Our injection systems are designed to accommodate readily available sorbents. For SO_x and other acid gas emissions, Trona, sodium bicarbonate or hydrated lime is typically used. For mercury control, the choice would be powdered activated carbon (PAC), or brominated powdered activated carbon (BPAC) for low chloride fuels.

Mercury reduction

The current preferred technology for mercury control is by the injection of activated carbon. The concept is that the mercury adsorbs onto the surface of the activated carbon. Depending upon the characteristics of the fuel, either a standard powdered activated carbon (PAC) or a brominated activated carbon (BPAC) can be injected into the flue gas stream to achieve a given reduction in mercury.

Injection is typically after the air heater where gas temperatures are below 177°C/350°F.

Removal efficiencies and reagent consumption will vary according to the type of APC equipment downstream. A fabric filter system can achieve mercury removal efficiencies greater than 90% whereas plants that utilise an electrostatic precipitator typically experience lower removal efficiencies and/or higher reagent consumption rates.

⚡ Your advantage

- Low capital investment costs
- Continuous operation during maintenance
- Optimised dispersion of dry sorbent
- Accurate control of sorbent injection rate
- Compatible with fabric filter and electrostatic precipitator technology
- System pre-assembly and testing to reduce installation cost and schedule



Rebuild, replacement and after sales capabilities



Clyde Bergemann's experienced engineers evaluate the most cost effective approach to performance enhancement, refurbishment or replacement of air pollution control technology. Design, supply, service, installation and guaranteed performance provide a complete package to our customers.

Mechanical systems

- correction of existing collector problems
- designs provided to minimise wear and tear
- improved performance
- increased capacity
- increase service life of aged equipment

Electrical systems

- improved reliability of air pollution control technology
- state-of-the art microprocessor based controls

Rapping systems

- increased availability leading to better performance
- controlled rapping for precise operation
- maintenance free
- designed for maximum service life and easy operator interface

Our experienced teams of trained personnel make thorough field inspections to determine the most economical and efficient approach to system performance improvement and to identify maintenance requirements. Additionally, experienced construction and service engineers assist in the erection, start-up and commissioning of all of our technologies.

Our extensive inventory of critical spare parts for our equipment supports long term system optimisation programs or immediate parts requirements in a prompt and accurate fashion. We can also provide spare parts for our competitor's technology.



Technologies proven to ensure target emission reduction levels are reached

Case 1

Fabric Filters, mercury and acid gas control on a 1,000 MW USA coal-fired power generation facility

In May 2010, Clyde Bergemann completed a three year environmental retrofit project on two major power generation stations in northeast USA. The turnkey project involved retrofitting six boilers in total at two plants and included demolishing existing equipment, hot-to-cold air heater ductwork conversions and erecting new air pollution control systems and balance of plant equipment, associated piping, electrical power and control work and thermal insulation.

The primary air pollution control technologies included ten pulse jet fabric filters for particulate control, six trona storage and injection systems for SO₂ reduction and six powder activated carbon injection systems for mercury reduction.

The benefits recognised included:

- SO₂ emissions reduced by > 82%
- Mercury levels reduced by > 97%
- Particulate emissions reduced to < 0.001 lb/MMBtu
- Sorbent injection rates were below guaranteed levels
- Significant operating cost savings over the lifetime of the systems produced by lower system pressure losses combined with reduced sorbent and power consumption rates

Case 2

Electrostatic Precipitators E.On - Puertollano Power Plant, Spain

In 2009 Clyde Bergemann provided a full turnkey solution for an upgrade of the Puertollano power plant's ESP systems. The upgrade included demolition of redundant ESP's, installation of components for the final field of the two existing ESP's, ducting from the air preheater outlet and the addition of a new parallel ESP.

Additionally, new transformer rectifiers and controls, inlet and outlet ducting, ash handling system, access walkways and insulation and sheeting were all included.

The benefits recognised included:

- Shutdown of only 50 days compared to competitors 100 days therefore increased plant availability
- Preliminary testing showed reduced emission levels from 200 mg/Nm³ to < 50 mg/Nm³
- Lower cost solution in comparison to competitor solutions offered

Clyde Bergemann is represented in over 40 countries worldwide.



● Clyde Bergemann Companies ● Clyde Bergemann Associates



**Clyde Bergemann
Materials Handling Ltd**

Lakeside Boulevard, Lakeside
Doncaster DN4 5PL
England, UK

Tel: +44 (0) 1302 552200
Fax: +44 (0) 1302 369055

Internet: www.cbmh.co.uk
eMail: powersales@cbmh.co.uk

● Europe

Clyde Bergemann GmbH
Wesel / Germany
Tel.: +49 281 815-0
sales@cbw.de

Clyde Bergemann Materials Handling Ltd
Doncaster / England
Tel.: +44 1302 552200
powersales@cmbh.co.uk

Clyde Bergemann Ltd
Glasgow / Scotland
Tel.: +44 141 550 5400
info@clydebergemann.co.uk

Clyde Bergemann Forest SA
Gosselies / Belgium
Tel.: +32 71 91 94 10
cbfsales@cbw.de

Clyde Bergemann Scandinavia Oy
Espoo / Finland
Tel.: +358 9 8330 0600
scandinavia@clydebergemann.fi

Clyde Bergemann Polska Sp. z o.o.
Tychy / Poland
Tel.: +48 32 216 8412
biuro@clydebergemann.com.pl

Clyde Bergemann Eesti AS
Tallinn / Estonia
Tel.: +372 625 9570
cbesales@cbw.de

Clyde Bergemann DRYCON GmbH
Wesel / Germany
Tel.: +49 281 815- 0
sales@cbw.de

Clyde Bergemann Termotec GmbH
Wesel / Germany
Tel.: +49 281 815- 0
info@clydebergemann.de

Endat Oy
Espoo / Finland
Tel.: +358 9 2517 2519
info@endat.fi

Clyde Bergemann EP Tech S.r.l.
Battipaglia / Italy
Tel.: +39 0828 305 421
info@clydebergemann.it

● Americas

Clyde Bergemann Atlanta
Atlanta / GA-USA
Tel.: +1 770 557 3600
info@us.cbpg.com

Clyde Bergemann Hanover
Hanover / MD-USA
Tel.: +1 410 368 7000
info@us.cbpg.com

Clyde Bergemann Malvern
Malvern / PA-USA
Tel.: +1 610 695 9700
info@us.cbpg.com

Clyde Bergemann Canada Ltd.
Cambridge, Ontario / Canada
Tel.: +1 800 267 3068 toll free
info@us.cbpg.com

Clyde Bergemann Auburn
Auburn / ME-USA
Tel.: +1 207 784 1903
info@us.cbpg.com

Clyde Bergemann do Brasil Ltda
Mogi Guacu / Brazil
Tel.: +55 19 3841 5086
info@br.cbpg.com

Clyde Bergemann Colombia, S.A.S.
Bogotá / Colombia
Tel.: +57 1 622 4259
info@co.cbpg.com

● Asia

Shanghai Clyde Bergemann
Machinery Co., Ltd
Shanghai / China
Tel.: +86 21 65396385
sales@sbcmmc.com

Clyde Bergemann Huatong
Materials Handling Company Ltd
Beijing / China
Tel.: +86 10 58561956
sales@cbh.net.cn

Clyde Bergemann Energy &
Environmental Technology
(Beijing) Co., Ltd
Beijing / China
Tel.: +86 10 51650099
general@cbbeijing.com

Clyde Bergemann India Pvt. Ltd
Noida (Uttar Pradesh) / India
Tel.: +91 120 4073 101
sales@clydebergemann.in

Clyde Bergemann Beekay India Pvt. Ltd
Noida (Uttar Pradesh) / India
Tel.: +91 120 4073 101
sales@clydebergemann.in

Macawber Beekay Ltd
New Delhi / India
Tel.: +91 120 4073 101
rohit@bsbkgroup.com

PT. Clyde Bergemann Indonesia
Jakarta / Indonesia
Tel.: +62 21 532 8002
agustinus.tjhay@clydebergemann.com

● Australia

Clyde Bergemann Australia Pty Limited
Wetherill Park / Australia
Tel.: +61 2 9757 7400
sales@au.cbpg.com

● Africa

Clyde Bergemann Africa Pty Ltd
Kya Sands / South Africa
Tel.: +27 11 704 0580
enquiry@cbz.co.za